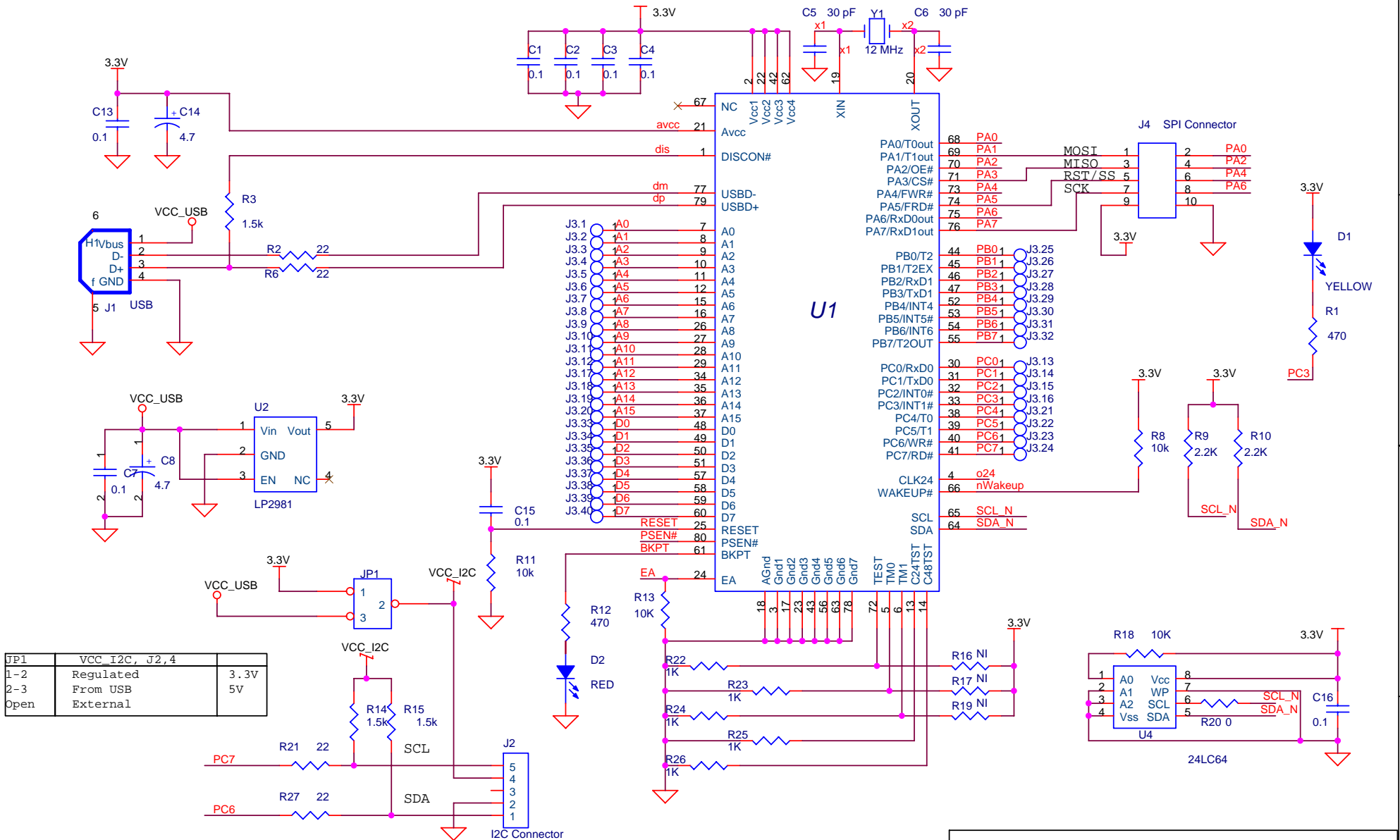
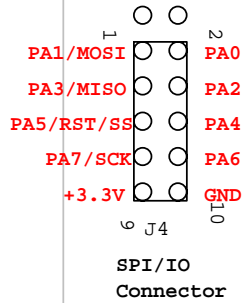
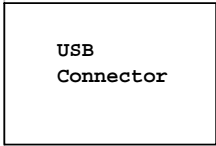
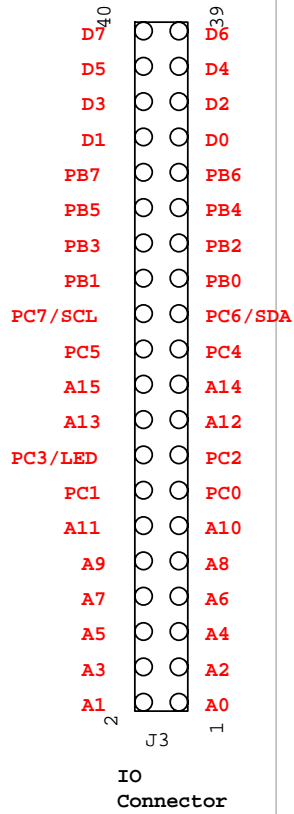
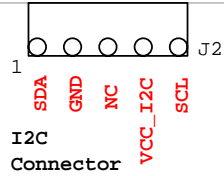
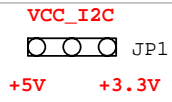


J1	VCC_I2C, J2,4	
1-2	Regulated	3.3V
2-3	From USB	5V
Open	External	



www.xdimax.com		
Title		
U2C - 11		
Size	Document Number	Rev
	0.2.1	4
Date:	Sheet 1 of 2	



www.xdimax.com		
Title		
U2C - 11 CONNECTORS		
Size	Document Number	Rev
	0.2.1	4
Date:	Tuesday, May 24, 2005	Sheet 2 of 2