

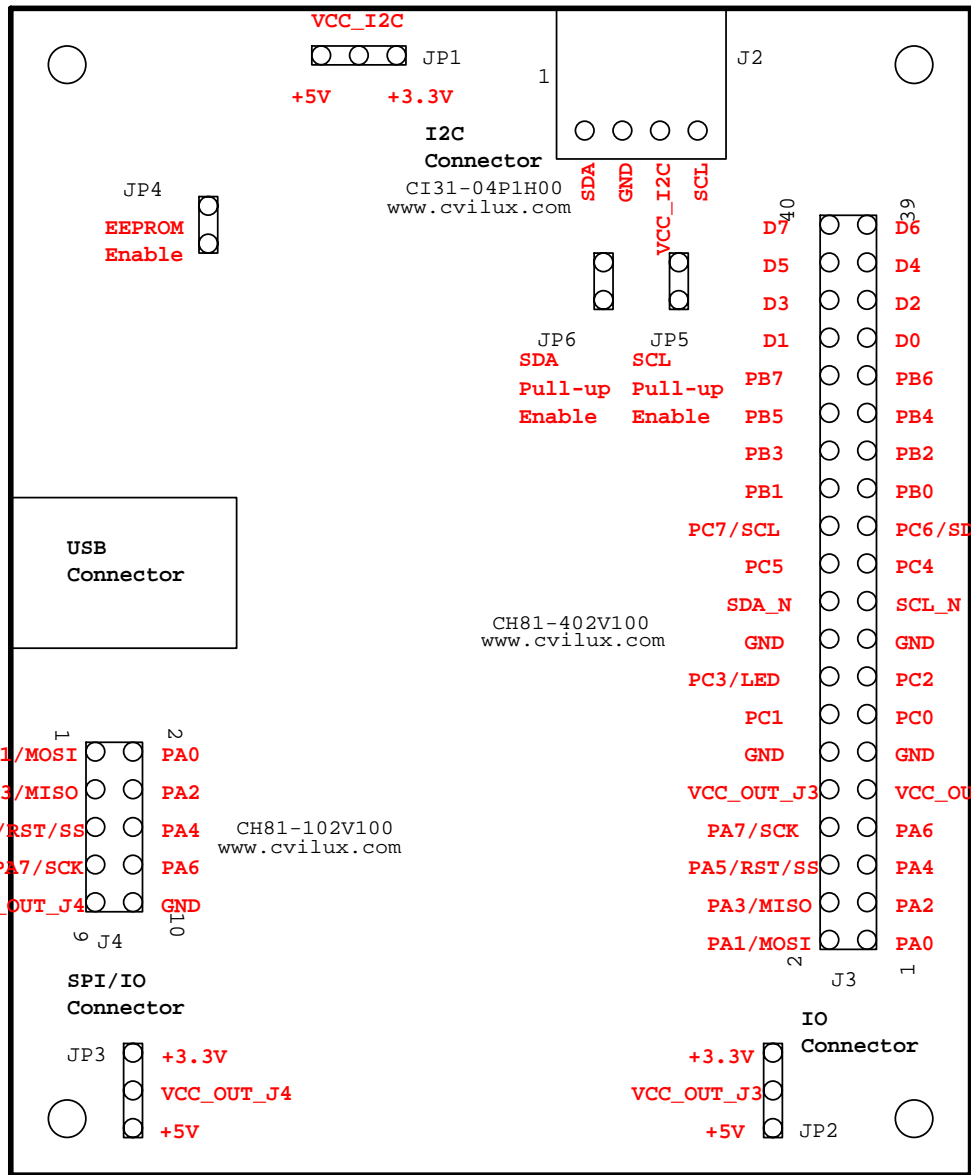
Jumper	Configuration	Voltage
JP1	VCC I2C, J2,4	
	1-2 Regulated	3.3V
	2-3 From USB	5V
JP2	VCC_OUT, J3.9, J3.10	
	1-2 Regulated	3.3V
	2-3 From USB	5V
JP3	VCC_OUT, J4,9	
	1-2 Regulated	3.3V
	2-3 From USB	5V

[www.xdimax.com](http://www.xdimax.com)

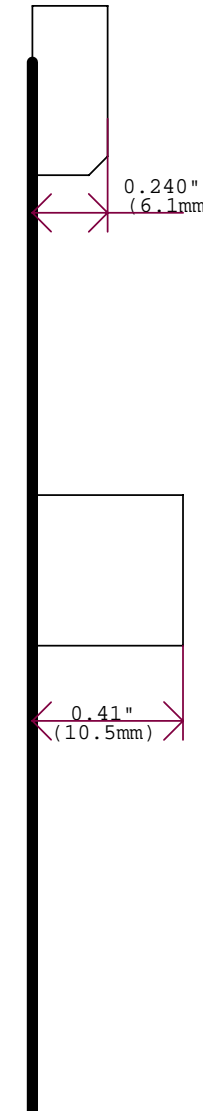
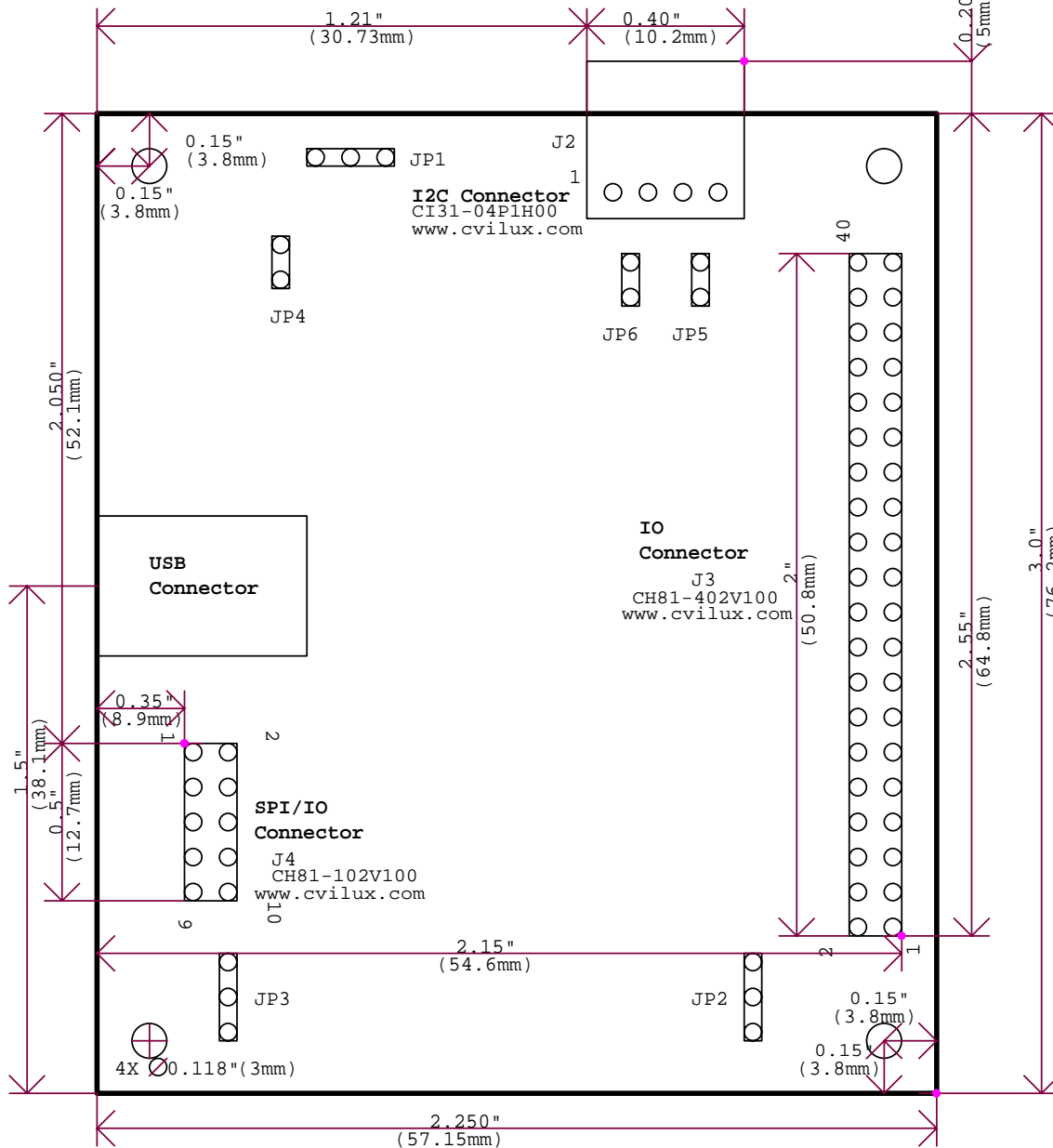
**U2C-12**

Size	Document Number	Rev
A4	<b>0.05</b>	0

Date: Thursday, February 16, 2006    Sheet 1 of 3



<a href="http://www.xdimax.com">www.xdimax.com</a>		
<b>U2C-12 Connectors</b>		
Size A4	Document Number <b>0.05</b>	Rev 0
Date: Thursday, February 16, 2006		
Sheet		2 of 3



<a href="http://www.xdimax.com">www.xdimax.com</a>		
<b>U2C-12 Mechanical Drawing</b>		
Title	Document Number	Rev
	0.05	0
Date:	Thursday, February 16, 2006	Sheet 3 of 3